

# QUICK START GUIDE (TG1000 FANS INSTALLATION NOTES)

## RULES FOR THE CORRECT INSTALLATION OF TG1000 FANS

In order to guarantee the correct and reliable operation of the transformer ventilation system, follow the instructions supplied in this document about the installation.

### REQUIREMENTS

#### ATTENTION:

Read the manual carefully before starting to use the product. Keep the instructions for future reference.

**Do not touch/move bar or fans while they are in operation: RISK INJURY.**  
**The product must be installed in a location with limited access to qualified technician.**  
**Any work on the appliance must be left to a qualified repair technician.**

**Do not touch the motor or power cables: contact with a voltage of 230/120 Volts AC can be fatal.**  
 To reduce the risk of electric shock, do not disassemble or modify in any way the fan motor. Before connecting the device to make sure that all connections have been made correctly.  
 Always disconnect the fan from power supply before performing any type of maintenance.

**Never touch the fan motor, burns danger: RISK INJURY.**

**Failure to follow these instructions can cause damage, fire or electric shock, with possible serious injury!**

### POWER SUPPLY

Before using it make sure that the power supply wires are not damaged, kinked or crushed. Do not tamper with the power supply wires. Never disconnect the power supply by pulling the cable, avoid touching the pins. Do not perform connection/disconnection operations with wet hands. Do not use objects as levers to disconnect the power supply of the system. Disconnect the power immediately if it is evident that the system gives off a burning smell or smoke: please contact technical support Tecsystem.

### LIQUIDS

Do not expose the product to dripping or splashing liquids. Do not allocate in places where humidity is over 90% (non-condensing) and never touch with wet hands.

### CLEANING

Before cleaning the fan always disconnect the power supply. To avoid malfunctions, cleaning the fan only using compressed air to remove dust and dirt. Do not use oils or fats of any kind.

### OBJECTS

Never push objects through the air inlet or outlet. If this happens, disconnect the fan and call a technician.

### RESTRICTED USE A COMPETENT PERSON

The product is a sophisticated electromechanical system, absolutely not suitable for use by untrained personnel. All work must be performed by a qualified technician.

### ACCESSORIES

Do not use accessories or replacement parts that are not original, it could cause damage to the fan and put at risk the safety of the user. In case of failure, contact technical support.

### LOCATION

Install the fan indoor protected from splashing water and sunlight. Do not place near heat sources exceed the parameters specified in this manual. Place the fan in a horizontal and stable surface. The product must be installed in a location with limited access to qualified technician.

### REPAIR

Do not repair or adjust the fan. If any fault occurs always contact a qualified technician. Opening the fan tampering involves the automatic invalidation of the warranty.

### PRODUCTION

The date and the batch production of the product are shown on the label attached on the fan. Removing the label implies the automatic invalidation of the warranty.

### FAN MOUNTING

Fix the fans using the holes on the back, do not change the mounting holes of the fan.

If the fan is mounted on board of a transformer the working position of the fan must comply with the safety distance, indicated in the manual of the transformer, on which you are installing the fan.

The fan must be positioned in the horizontal plane, always make sure, through the help of a level, that the fan is positioned correctly.

### WARNING:

Use the fan trying not obstruct the mouth of the inlet / outlet, whether partial or total occlusion of the air vents can cause malfunction.

During the handling of the fans avoid deforming the fins of the impeller.

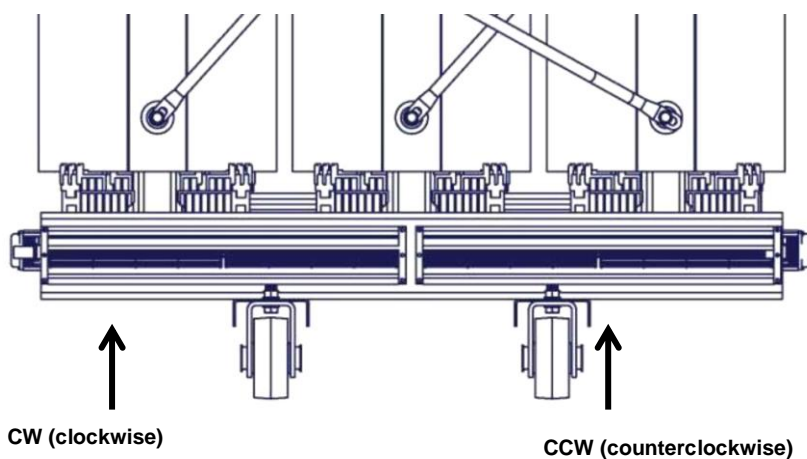
Never change the motor positioning.

Here below two examples of the mounting on the transformer:

#### EXAMPLE 1.

Example of n° 2 pcs of TG1000 application (n° 1 with CW clockwise motor and n° 1 with CCW counterclockwise motor) that allows to have 2 meters of airflow continuously on each transformer side, in order to cool the three coils of the transformer.

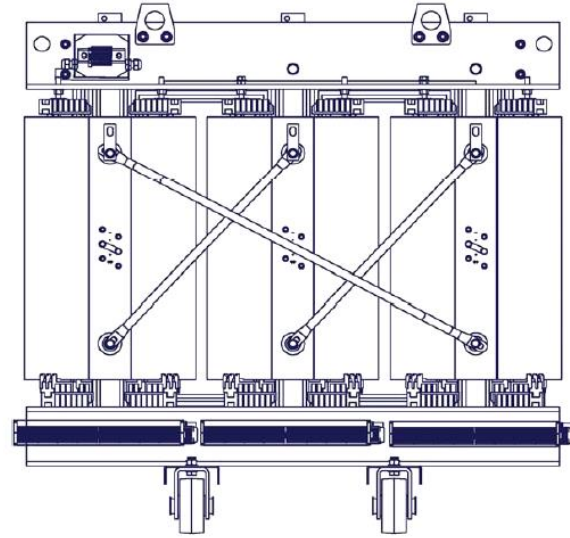
Figure 1



#### EXAMPLE 2.

Example of n° 3 pcs of TG1000 application for cast resin high power transformers (n° 3 with clockwise motors and n° 3 with counterclockwise motors) that allows to cooling each coil of the transformer.

Figure 2



#### NOTE:

It is not recommended to install the fans in marine environment, if not after treatment of metal parts.



Before connecting the power supply to the fan always check the parameters of voltage and frequency indicated on the label of the fans.

### SCHEDULED MAINTENANCE AND NOTES ON THE INSTALLATION OF THE VENTILATION SYSTEM.

In order to protect the fan efficiency, the following instructions must be taken into account:

- Clean the fans periodically (every 6 months), using only compressed air (do not use lubricants or greases of any kind).
- Make sure the air inlet/outlet are not blocked; any total or partial occlusions of the air openings can cause malfunctions.
- If the fans remain idle for a prolonged period of time, enable the HFN function of the Tecsystem control unit, setting a working fan cycle every 12 hours. Prolonged inactivity might be the cause of fan faults.
- We recommend the VRT series control units for fan monitoring. The diagnostics offered by the VRT will allow you to avoid unwanted downtime, helping you to plan your maintenance.
- Check the condition of the wiring and the correct positioning/fixing of the fans periodically (every 12 months).
- While installing, always use the holes on the back of the fan to fix it; do not modify the fan fixing holes.
- While handling or maintaining the fans, avoid deforming the impeller blades.
- Do not modify the position of the motor for any reason.
- The fan operating position must comply with the safety distance stated in the manual of the transformer.
- The fan must be placed on a flat surface; check its position with a spirit level.
- Always comply with the conditions of use stated in the manual.
- The maximum vibration level allowed is 60Hz.
- Always check that the fan supply matches the manufacturer's label.
- The maximum harmonic content accepted according to the EN 61000-3-2 standard is: 5% 3rd, 6% 5th, 5% 7th, 1.5% 9th, 3.5% 11th, 3% 13th, 0.3% 15th, 2% 17th.
- If the fans are connected to the Tecsystem VRT control units, remember that an anomaly in the VRT operation might be due to the fan malfunctioning. Do not reprogram the control unit without previously checking the fans and carrying out their maintenance (cleaning with compressed air).

TO DOWNLOAD THE COMPLETE INSTRUCTION MANUAL USE\* THE QR CODE ON THE PRODUCT OR CONNECT TO THE TECSYSTEM WEBSITE ([www.tecsystem.it](http://www.tecsystem.it))



INSTRUCTION



MANUAL

#### TECHNICAL INFORMATION:

Mail: [ufficiotecnico@tecsystem.it](mailto:ufficiotecnico@tecsystem.it) — tel: 02/4581861

\*download the QR CODE READER application to your smartphone / tablet and you will be ready to read all Q codes